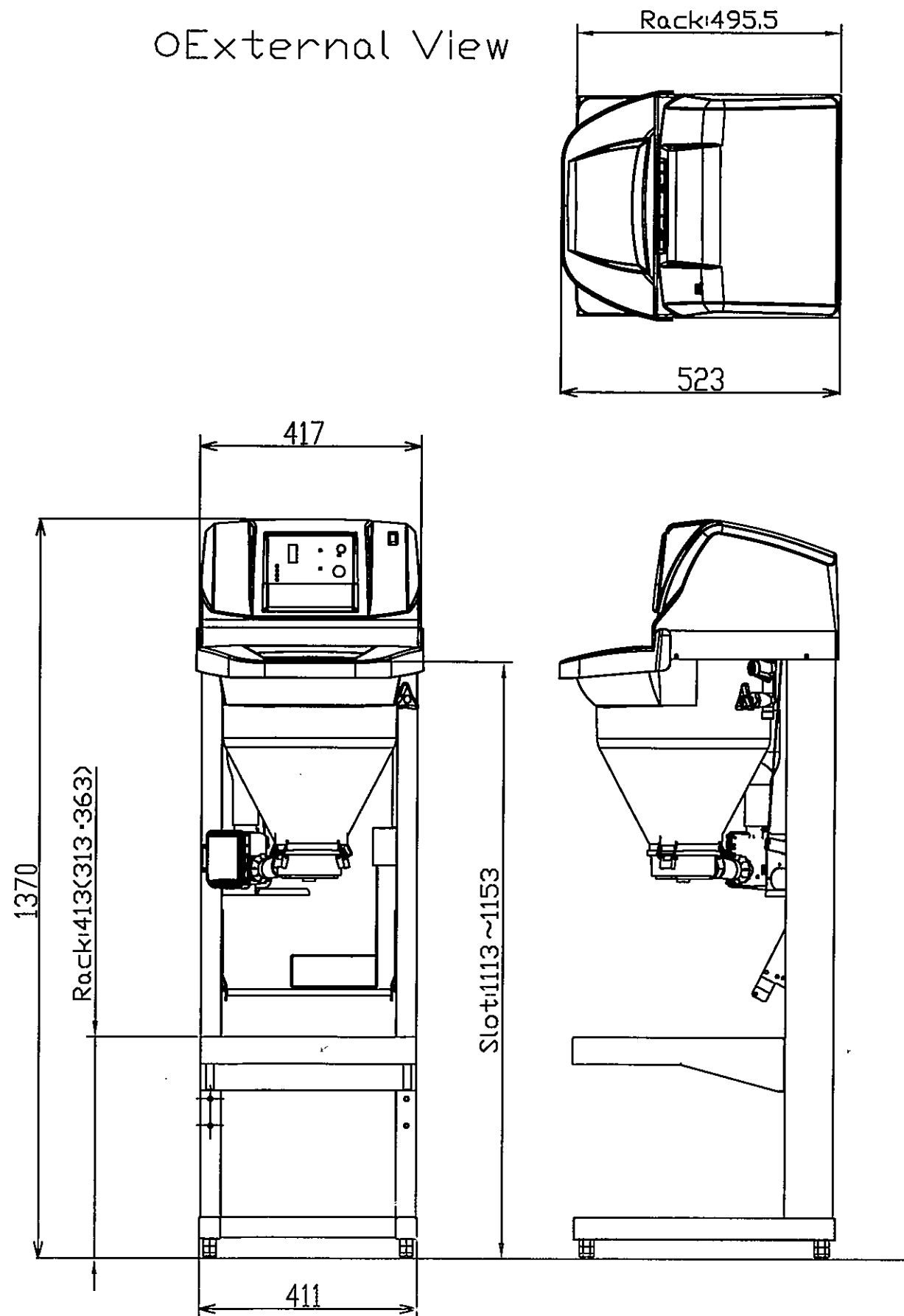
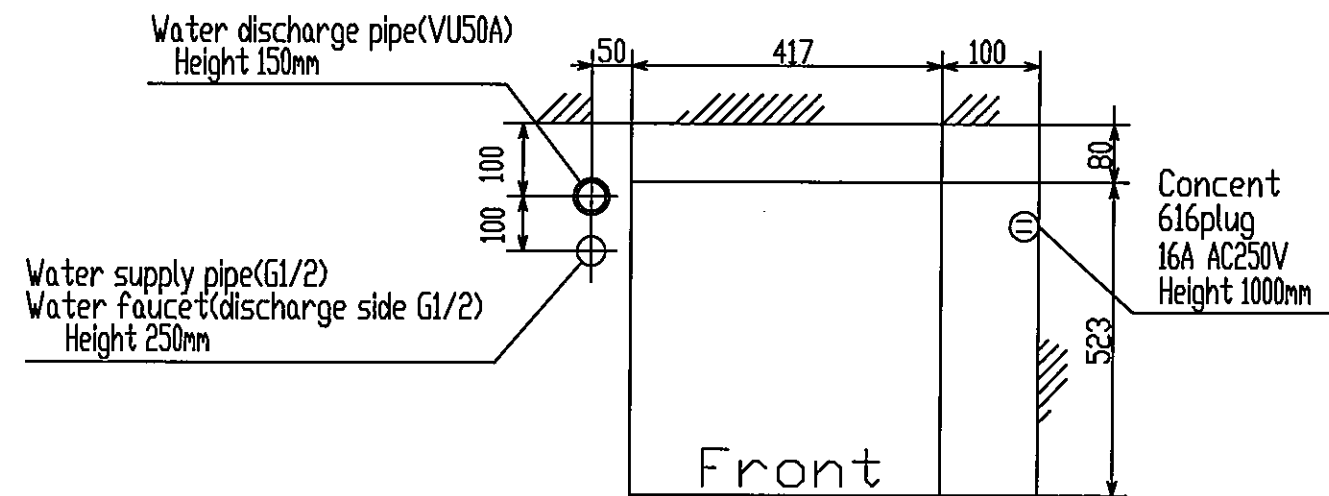
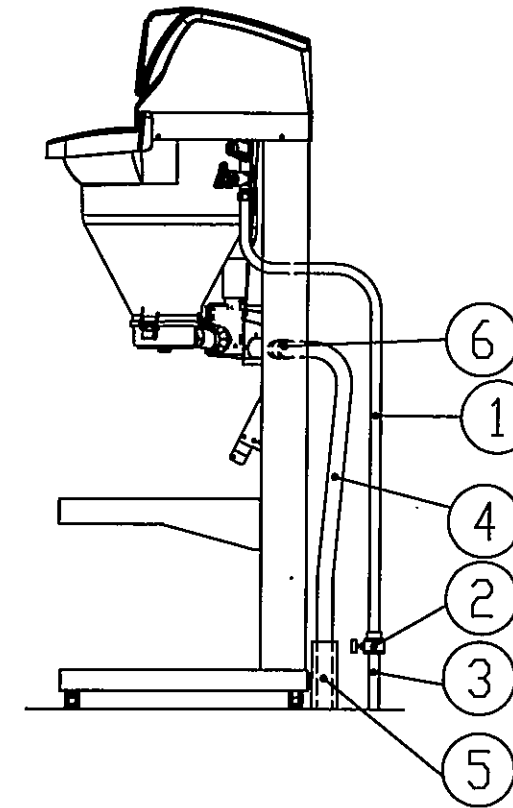


KP72PN-CE

External View



Drawing of Water Supply • Discharged Water • Connection [Standards]



Specification

Size(mm)	W417xD523xH1,370
Weight(KG)	27KG
Rice throughput(Max)	7.2L(6.0KG)
Setting/per operation	1.0KG-6.0KG
Washing time(6.0KG)	Around 1min 56sec(14L/min)-2min 30sec
Consumed power	Max AC220V • AC230V • AC240V ±10V
Frequency	50Hz
Electric consumption	Max 40W
Minimum volume of water pressure	79kPa(0.8kgf/cm ²)